

**DESCRIPTION**

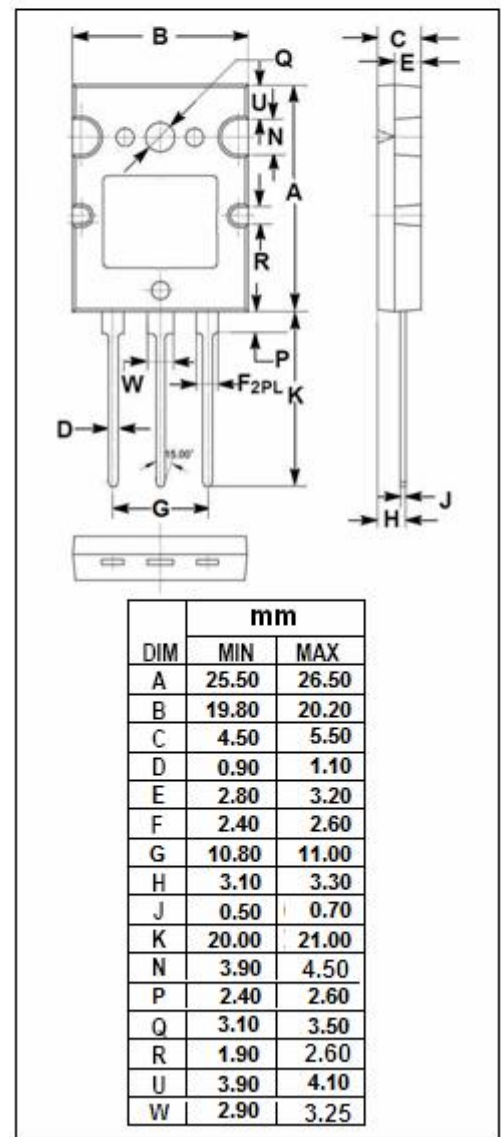
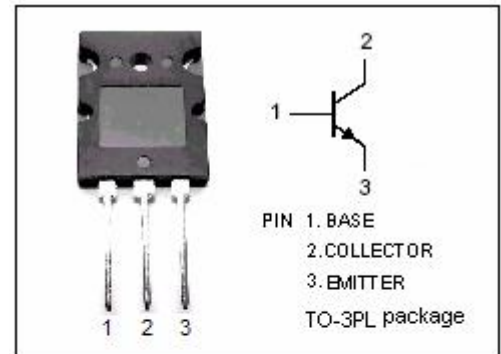
- High Switching Speed
- High Breakdown Voltage-  
:  $V_{(BR)CBO} = 1500V(\text{Min})$

**APPLICATIONS**

- Designed for horizontal deflection output applications.

**ABSOLUTE MAXIMUM RATINGS( $T_a=25^\circ\text{C}$ )**

SYMBOL	PARAMETER	VALUE	UNIT
$V_{CBO}$	Collector-Base Voltage	1500	V
$V_{CEO}$	Collector-Emitter Voltage	800	V
$V_{EBO}$	Emitter-Base Voltage	6	V
$I_C$	Collector Current-Continuous	25	A
$I_{CM}$	Collector Current-Pulse	50	A
$P_C$	Collector Power Dissipation @ $T_c=25^\circ\text{C}$	250	W
$T_J$	Junction Temperature	150	$^\circ\text{C}$
$T_{stg}$	Storage Temperature Range	-55~150	$^\circ\text{C}$



**ELECTRICAL CHARACTERISTICS**

$T_C=25^{\circ}\text{C}$  unless otherwise specified

SYMBOL	PARAMETER	CONDITIONS	MIN	TYP.	MAX	UNIT
$V_{CE(SUS)}$	Collector-Emitter Sustaining Voltage	$I_C= 10\text{mA}; I_B= 0$	800			V
$V_{CE(sat)}$	Collector-Emitter Saturation Voltage	$I_C= 20\text{A}; I_B=5\text{A}$			5.0	V
$V_{BE(sat)}$	Base-Emitter Saturation Voltage	$I_C= 20\text{A}; I_B=5\text{A}$			1.5	V
$I_{CBO}$	Collector Cutoff Current	$V_{CB}= 800\text{V}; I_E= 0$			10	$\mu\text{A}$
$I_{CES}$	Collector Cutoff Current	$V_{CE}= 1500\text{V}; R_{BE}= 0$			1.0	mA
$I_{EBO}$	Emitter Cutoff Current	$V_{EB}= 4\text{V}; I_C= 0$			1.0	mA
$h_{FE-1}$	DC Current Gain	$I_C= 1\text{A}; V_{CE}= 5\text{V}$	8		30	
$h_{FE-2}$	DC Current Gain	$I_C= 20\text{A}; V_{CE}= 5\text{V}$	4		8	
$t_{stg}$	Storage Time	$I_C= 12\text{A}, I_{B1}=2.4\text{A}; I_{B2}= -4.8\text{A}$			3.0	$\mu\text{s}$
$t_f$	Fall Time				0.2	$\mu\text{s}$